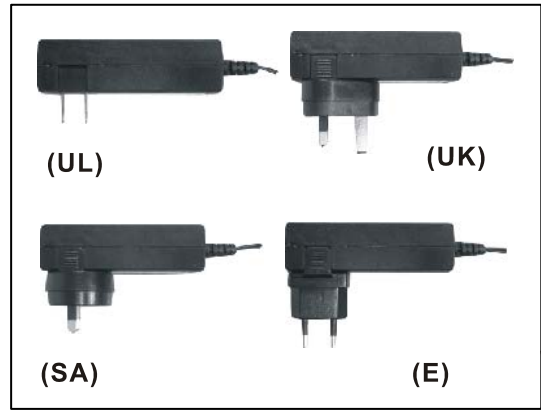


Plug-in power supply

Features:

- Universal input voltage
- Single output
- Optional output connectors
- Short circuit protection
- Over voltage protection
- Meet Energy star V
- Light Weight : 220g only
- Changeable AC plug

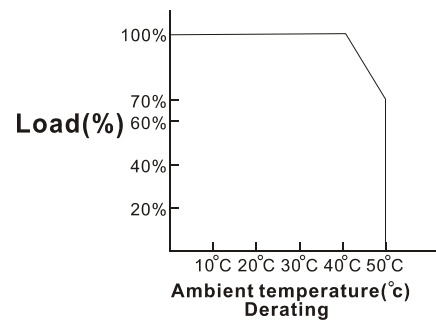
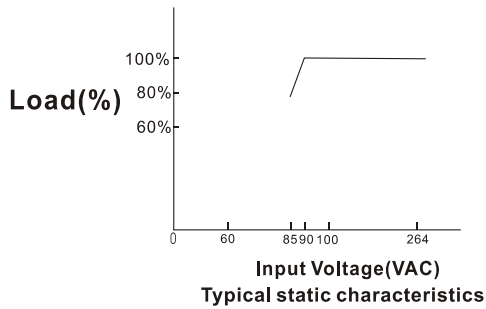
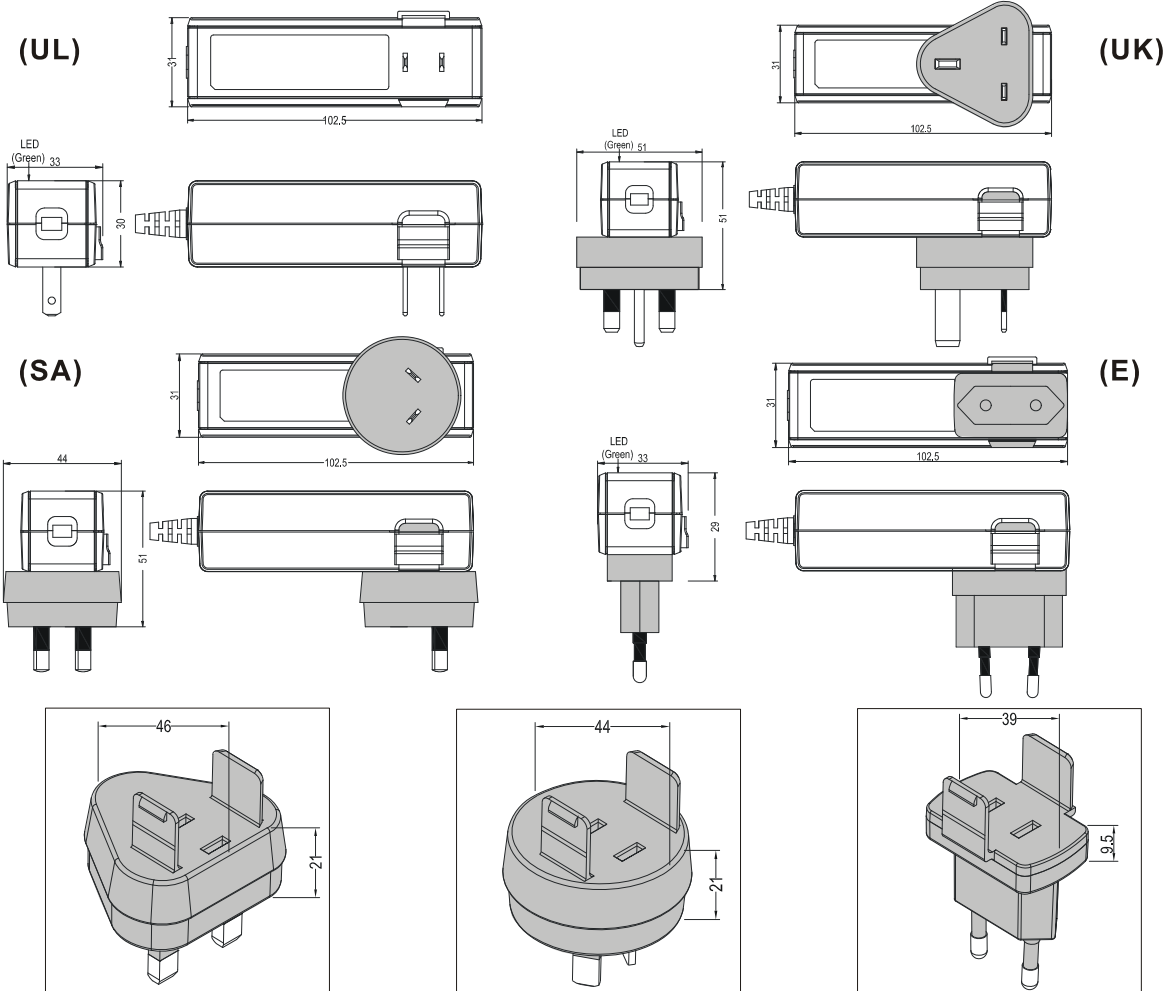


SAFETY AGENCY APPROVALS:



Specifications:	GPSU36 Interchangeable series:
Input voltage	100~240V
Input frequency	50~60Hz (Limits:47~63Hz)
Input current	1A Max.
Safety ground leakage current	0.25mA Max.
Output voltage	See rating chart
Output current	See rating chart
Output power range	See rating chart
Ripple	1% Max.
Over voltage protection	Yes.
Over current protection	Yes.
Short protection	Yes.
Temperature coefficient	All output±0.04%/°C maximum
Transient response	Maximum excursion of 4% or better on all models. Recovering to 1% of final value within 500uS after a 25% step load change
Operating temperature	0°C~+40°C.
Storage temperature	-20°C~+85°C
Relative humidity	5% to 95% non-condensing
Derating	Derated from 100% at + 40°C linearly to 50% at 70°C
Efficiency	75~84% Typical
Hold up time	10m / sec minimum
Line regulation	±2% maximum for any input voltage change between input voltage range
Load regulation	±5% variations from minimum to maximum output current.
Insulation resistance	50Mohm minimum from input to ground
Inrush current	50A MAX.
Withstand voltage	4242VDC from input to output
Mean time between failure	100,000 hours minimum at full load at 25°C ambient
EMI requirements	(a) CE
Safety requirements	(A)UL60950-1; CSA C22.2 (B) EN60950-1;IEC60950-1
Warranty	1 year

UNIT: mm



X: U=USA Plug ; BS=UK Plug ; SA=2PIN Australia Plug ; E=EURO Plug

Model name	Output Voltage(VDC)	Output Current(A)	Max Output Power (W)	Ripple(mV) Max.	Line Regulation (%)	Load Regulation (%)	EFFICIENCY (%) (min)	Measured at the output of
GPSU36X-1	5~7	4~2.85	20	200	2%	5%	78%	5
GPSU36X-2	8~11	3.37~2.45	27	170	2%	5%	82%	9
GPSU36X-3	12~17	2.5~1.76	30	180	2%	5%	83%	12
GPSU36X-4	18~24	2~1.5	36	240	2%	5%	84%	24

Note:
 (1)Weight: Approx 220g
 (2) Optional output connectors