

## GPSO40 open frame series

### Features:

- Universal input voltage
- Single output
- Short circuit protection
- Over voltage protection
- Over current protection
- No load power consumption<0.3W
- Meet Energy star IV



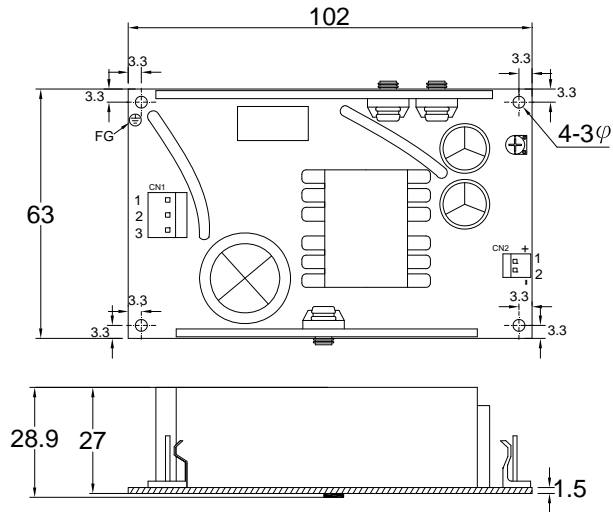
### SAFETY AGENCY APPROVALS:



Application: General power

Specifications:	GPSO40 series:
Input voltage	100~240VAC
Input frequency	50~60Hz (Limits: 47~63Hz)
Input current	1A Max.
Safety ground leakage current	Class1:3.5mA/Class2:0.25mA
Output voltage	See rating chart
Output current	See rating chart
Output power range	See rating chart
Ripple	See rating chart
Over voltage protection	Yes.
Over current protection	Yes.
Short circuit protection	Yes.
Temperature coefficient	All output $\pm 0.04\%/^{\circ}\text{C}$ maximum
Transient response	Maximum excursion of 4% or better on all models. Recovering to 1% of final value within 500uS after a 25% step load change
Operating temperature	0 $^{\circ}\text{C}$ ~+40 $^{\circ}\text{C}$ .
Storage temperature	-40 $^{\circ}\text{C}$ ~+85 $^{\circ}\text{C}$
Relative humidity	5% to 95% non-condensing
Derating	Derated from 100% at + 40 $^{\circ}\text{C}$ linearly to 50% at 70 $^{\circ}\text{C}$
Efficiency	86% type
Hold up time	10m/sec mininum
Line regulation	$\pm 1\%$ maximum for any input voltage change between input voltage range
Load regulation	$\pm 5\%$ variations from minimum to maximum output current.
Insulation resistance	50Mohm minimum from input to ground
Inrush current	60AMPS@115 VAC ; 80AMPS @ 230VAC at 25 $^{\circ}\text{C}$ cold start
Withstand voltage	4242VDC from input to output
Mean time between failure	100,000 hours minimum at full load at 25 $^{\circ}\text{C}$ ambient
EMI requirements	CE
Safety requirements	Reference design (A)UL60950-1 (B) EN60950-1; IEC60950-1 (C) J60950
Warranty	2 years
Dimension(mm)	102x63x26
Weight(g)	140

**Mechanical Specification**



UNIT mm

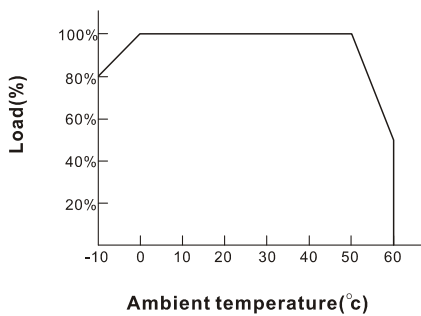
AC input connector (CN1): Molex5237 series or equivalent

Pin number	Assignment	Mating Housing	Terminal
1	AC-L	Molex5058 or equivalent	Molex2478 or equivalent
2	FG		
3	AC-N		

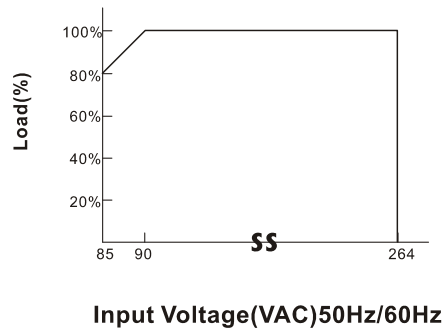
DC output connector (CN2): Molex5237 series or equivalent

Pin number	Assignment	Mating Housing	Terminal
1	+V	Molex5195 or equivalent	Molex5194 or equivalent
2	-V		

■ **Output Derating**



■ **Static Characteristics**



Model name	Output Voltage(VDC)	Output Current (A)	Max .Output Power (W)	Ripple(mV) Max.	Line Regulation (%)	Load Regulation (%)	Avg. EFF (%) 25,50,75,100% load
GPSO40-1	5~6	5.00~4.17	25	350	1	3	79
GPSU40-1-1	6~8	5.00~3.75	30	200	1	3	81
GPSO40-2	8~11	4.38~3.18	35	120	1	3	82
GPSO40-3	11~13	3.64~3.08	40	130	1	2	85
GPSO40-4	13~16	3.08~2.50	40	250	1	2	85
GPSO40-5	16~21	2.82~2.15	45	250	1	2	86
GPSO40-6	21~27	2.15~1.67	45	300	1	2	86
GPSO40-7	27~33	1.67~1.37	45	300	1	2	86
GPSO40-8	33~50	1.37~0.90	45	400	1	2	86