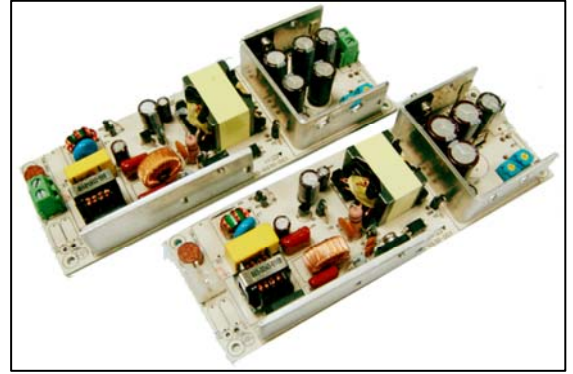


LEO40 for LED power series

- Universal input voltage
- Single output
- Short circuit protection
- Over voltage protection
- Over current protection
- Optional output voltage adjustable function
- Built-in constant current limiting with Adj. OCP level
- Built-in low input voltage cut off function
- High input power factor
- Low input ATHD

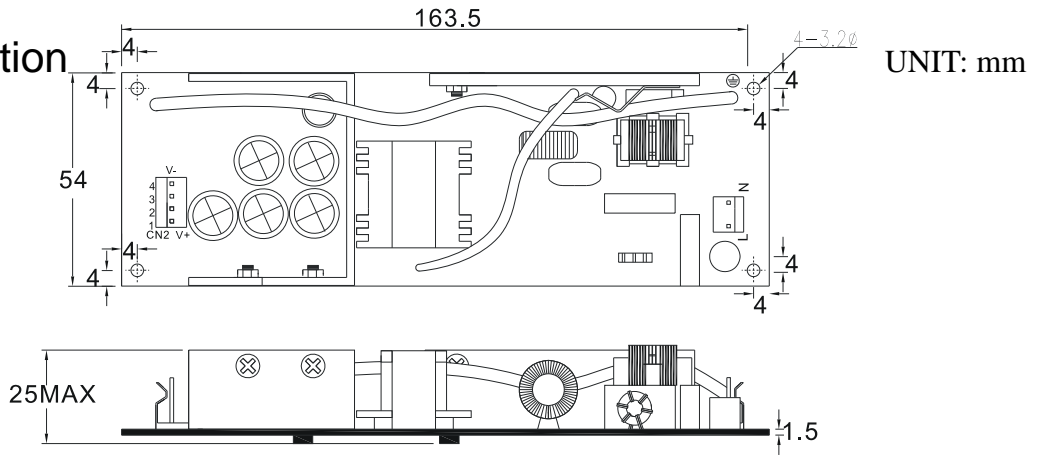


SAFETY AGENCY APPROVALS:



Specifications:	LEO40 series:
Input voltage	100~240VAC
Input frequency	50~60Hz (Limits:47~63Hz)
Input current	1A Max.
Input power factor	≥ 0.9 at 75~100% load
Input total harmonic distortion	$< 20\%$ at 75~100% load
Low input cut off voltage	$< 70\text{VAC} +10/-20\text{AC}$
Safety ground leakage current	$< 0.7\text{mA}$
Output voltage	See rating chart
Output current	See rating chart
Output power range	See rating chart
Ripple	See rating chart
Over voltage protection	Yes
Over current protection	Yes
Short protection	Yes
Temperature coefficient	All output $\pm 0.04\%/^{\circ}\text{C}$ maximum
Operating temperature	$-20^{\circ}\text{C} \sim +40^{\circ}\text{C}$
Storage temperature	$-40^{\circ}\text{C} \sim +85^{\circ}\text{C}$
Relative humidity	5% to 95% non-condensing
Derating	Derated from 100% at $+40^{\circ}\text{C}$ linearly to 50% at 70°C
Efficiency	80% type.
Hold-up time	No hold-up time
Line regulation	$\pm 2\%$ maximum for any input voltage change between input voltage range
Load regulation	$\pm 5\%$ variations from minimum to maximum output current.
Insulation resistance	50Mohm minimum from input to ground
Inrush current	40 AMPS@115 VAC;80AMPS @ 230VAC at 25°C cold start
Withstand voltage	4242VDC from input to output
Mean time between failure	100,000 hours minimum at full load at 25°C ambient
EMI requirements	(A)EN55022 class B (B) FCC PART 15 B
Safety requirements	Design refer: UL1012 ; EN61347-1 EN61347-2-13
Warranty	1 year
Dimension(mm)	163.5x54x25
Weight(g)	160

Mechanical Specification



Type1:

AC input connector (CN1): Molex5273 series or equivalent

Pin number	Assignment	Mating Housing	Terminal
1	AC-L	Molex5058 or equivalent	Molex2478 or equivalent
2	NC		
3	AC-N		

DC output connector (CN2): Molex5273 series or equivalent

Pin number	Assignment	Mating Housing	Terminal
1	+V	Molex5058 or equivalent	Molex2478 or equivalent
2	+V		
3	-V		
4	-V		

Type2:

AC input connector (CN1): DINKLE EV508V-02P

Pin number	Assignment	Solid wire(AWG) Stranded wire (AWG / mm2)
1	AC-L	24~12
2	AC-N	24~12

DC output connector (CN2): DINKLE EV508V-02P

Pin number	Assignment	Solid wire(AWG) Stranded wire (AWG / mm2)
2	+V	24~12
3	-V	24~12

X=A (Class 1) or B (Class 2)

Y=V→Output voltage adjustable

A→Constant current level adjustable

R→Output voltage and constant current level adjustable

Model name	Output Voltage(VDC)	Output Current(A)	Max. Power(W)	EFF(%)	Ripple(V)
LEO40X-2-Y	8~11V	4.38~3.19A	35	76	2.5
LEO40X-3-Y	11~13V	3.64~3.08A	40	80	3
LEO40X-4-Y	13~16V	2.67~2.50A	40	82	3
LEO40X-5-Y	16~21V	2.50~1.91A	40	82	3.5
LEO40X-6-Y	21~27V	1.91~1.49A	40	82	3.5
LEO40X-7-Y	27~33V	1.49~1.22A	40	82	3.5
LEO40X-8-Y	33~40V	1.22~1.00A	40	82	3.5
LEO40X-9-Y	40~50V	1.00~0.84A	40	82	3.5